



**IP 54**  
Control Panel



**Digital**  
Monitor display



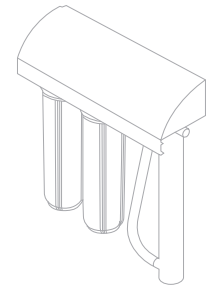
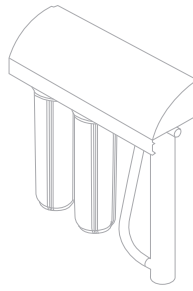
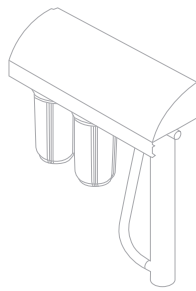
**Days meter**  
for lamp life control



**Acoustic alarm**  
for lamp  
replacement

# BIG F PRO

Atlas **BIG F PRO** is an easy to install two stage filtration system with UV treatment, for the removal of sediment and for water purification by means of UV-C radiation. **UV-C treatment** is a physical disinfection treatment for the inactivation of microorganisms in water.



Filtration-stage 1	20 µm	20 µm	20 µm
Filtration-stage 2	1 µm	1 µm	1 µm
Cartridges	TS 10" BIG 20 µm CPP 10" BIG 1 µm	TS 20" BIG 20 µm CPP 20" BIG 1 µm	TS 20" BIG 20 µm CPP 20" BIG 1 µm
Inlet/outlet size	1"	1"	1"
Shipping weight	20 Kg	22 Kg	22 Kg
Max working temperature	45 °C	45 °C	45 °C
Max working pressure	8,3 bar	8,3 bar	8,3 bar
Flowrate	54 lpm (40mJ/cm <sup>2</sup> )	70 lpm (30mJ/cm <sup>2</sup> )	95 lpm (30mJ/cm <sup>2</sup> )
Total consumption	61 W	61 W	73 W
Metal frame	Varnished galvanized steel with key lock	Varnished galvanized steel with key lock	Varnished galvanized steel with key lock

### UV LAMP GENERAL INFORMATION

UVC transmittance	95% - 1 cm	95% - 1 cm	95% - 1 cm
-------------------	------------	------------	------------

### UV REACTOR

Material	Stainless Steel 304	Stainless Steel 304	Stainless Steel 304
Connections	Thread 1" M	Thread 1" M	Thread 1" M
Max working pressure	8,3 bar	8,3 bar	8,3 bar
Protection class	IP 54	IP 54	IP 54

### UV LAMP

Lifespan	9000 hrs	9000 hrs	9000 hrs
Lamp power	56 W	56 W	67 W
Type	HO low pressure	HO low pressure	HO low pressure

### CONTROL PANEL

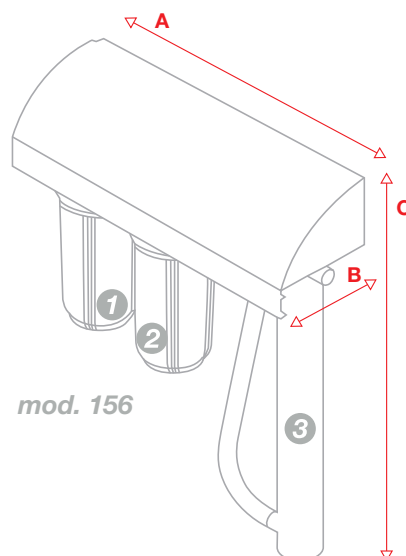
Material	Thermoplastic	Dimension	218x113x60 mm	Protection class	IP 64	Power supply	110-240 V - 50/60 Hz
Power cable	2 mt	Feed plug	AUS Type I	Monitor display	Digital	Days meter	For total system life
Resettable days meter	For lamp life control	Audio alarm	With silence options				

## DP BIG DUO filter housing

**mod. 156**

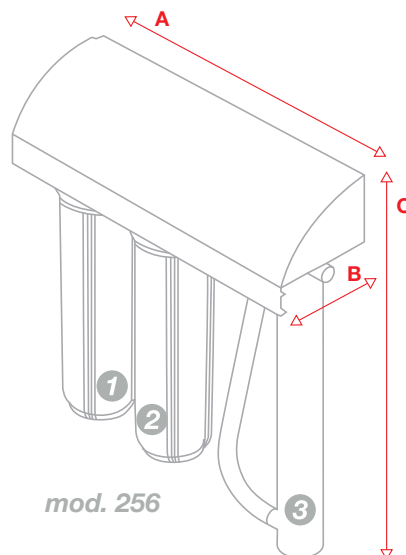
**stage1**

**stage2**

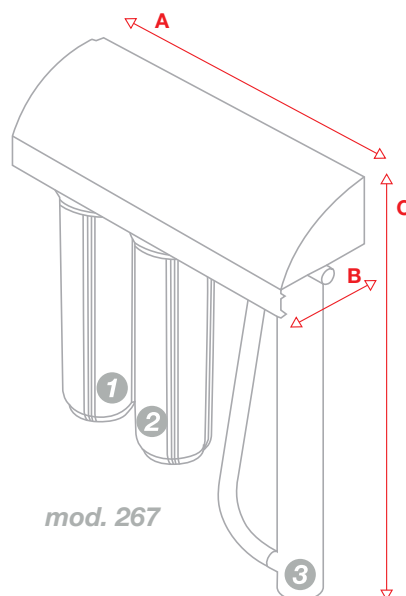


A = 722 mm  
B = 205 mm  
C = 790 mm

**mod. 256 / 267**



A = 722 mm  
B = 205 mm  
C = 806 mm



A = 722 mm  
B = 205 mm  
C = 870 mm

## UV lamp stage3

**mod. 156/256**

56 W

**mod. 267**

67 W

We value  
what really  
matters.  
**Water**



IT'S MADE IN ITALY

